



**REFERENCE :** KI0230

**SIZES :** U

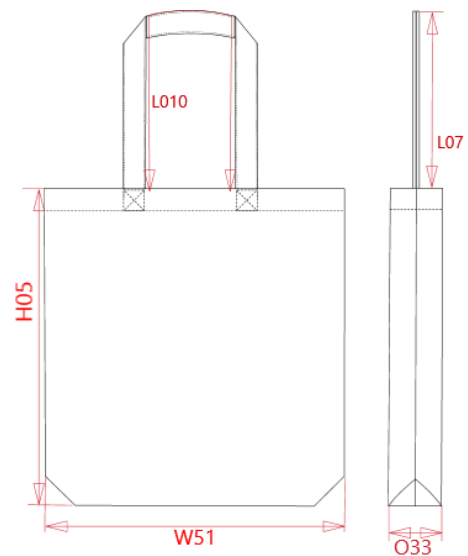
**COMPOSITION :**

Main fabric : Cotton canvas - 310 For one side of bag 100% cotton

Main fabric : Cotton canvas - 310 For the other side of bag 100% cotton

**ARTICLE WEIGHT :**

158 gr/pc



DESCRIPTION		COLORS	PANTONE SERIGRAPHIE
<b>Français :</b> Sac cabas bicolore en coton		Black / Natural	Black / Warm grey 1C
<b>English :</b> Two-tone cotton tote bag		Red / Natural	1795C / Warm grey 1C
<b>Nederlands :</b> Tweekleurige shopper van katoen		Turquoise / Natural	320C / Warm grey 1C
<b>Deutsch :</b> Zweifarbige Baumwolltasche im Cabas-Stil			
<b>Español :</b> Bolsa bicolor de algodón			
<b>Italiano :</b> Borsa shopping donna bicolore in cotone			
<b>Português :</b> Saco de compras bicolor em algodão			
MEASUREMENT			
Description	U		
<b>H05</b> Hauteur totale / Total height	42		
<b>W51</b> Total width	38		
<b>O33</b> Deep of bottom part	8		
<b>L07</b> Light of shoulder belts	23		
<b>L010</b> Longueur bande épaule / Total lenght of handle	50		
PACKING			
Box	100 pcs / box U => L:44cm W:40cm H:44cm GW:17.35kg NW:16.00kg		