



REFERENCE : KI0620

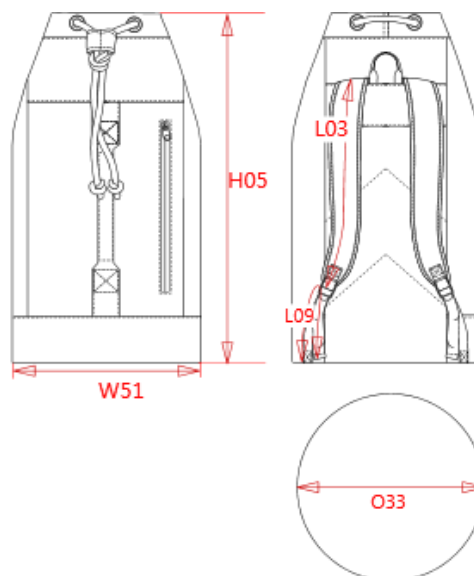
SIZES : U

COMPOSITION :

: Polyester 900D - 190 100%polyester
 : Polyester 900D - 190 For bottom part 100%polyester
 : Polyester 900D - 190 For front part 100%polyester
 : Polyester 900D - 190 For side and back parts 100%polyester
 Lining : Polyester 210D PU backing - 75 Inside bag 100%
 polyester
 Fabric : Polyester mesh - 180 On soulder part 100%polyester

ARTICLE WEIGHT :

360 gr/pc



DESCRIPTION
Français : Sac à dos marin
English : SAILOR-STYLE BAG
Nederlands : Rugzak in marinestijl
Deutsch : Matrosen-Rucksack
Español : Bolsa estilo marinero
Italiano : Sacca da marinaio
Português : Mochila marinheiro

COLORS	PANTONE SERIGRAPHIE
Black / Military green	Black / 5763C
Navy / Dark grey	433C / 447C
Red / Navy	200C / 433C
Reflex blue / White / French red	Reflex blueC/White/Red032C

MEASUREMENT						
Description	U					
H05 Hauteur totale / Total height	54					
W51 Total width	40					
L03 Longueur totale bretelle épaule / Shoulder strap total length	43					
L09 Total bottom strap	50					
O33 Deep of bottom part	25					

PACKING	
Box	20 pcs / box U => L:59cm W:42cm H:36cm GW:8.0kg NW:7.0kg