



REFERENCE : KI0703

SIZES : U

COMPOSITION :

Material 2 : Synthetic fabric - Polyester with shiny PVC coating
- 400 100%polyester - Polyvinyl chloride coating

Material 2 : Synthetic fabric - Polyester with shiny PVC coating
- 400 As contrast color of main fabric. On front pocket +
recovered piping all around front + back panels. 100%polyester

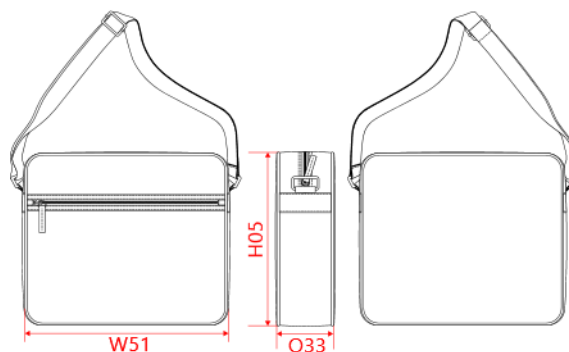
Lining : Polycotton 60/40 - 100 For lining, on inside. 60%
polyester/40%cotton

TECHNICAL DETAIL :

PVC backing

ARTICLE WEIGHT :

410 gr/pc



DESCRIPTION								COLORS		PANTONE SERIGRAPHIE	
Français : Sac messenger								Navy / White		433C / White	
English : Vintage messenger bag								Royal blue / Slate grey		287C / 424C	
Nederlands : Vintage messenger bag								Black / Slate grey		Black / 424C	
Deutsch : Vintage messenger tasche								Slate grey / Petrol blue		424C / 5405C	
Español : Bolsa messenger											
Italiano : Borsa messenger											
Português : Mala fashion											
MEASUREMENT											
Description		U									
H05 Hauteur totale / Total height		33									
W51 Total width		39									
O33 Deep of bottom part		11									
PACKING											
Box		25 pcs / box U => L:47cm W:38cm H:40cm GW:11,3kg NW:10,3kg									