



REFERENCE : KI0901

SIZES : U

COMPOSITION :

Main fabric : Polyester 1000D Dobby PU+EVA backing On front panel+front pocket+one lateral panel. 100%polyester

Fabric 2 : Polyester 1000D PU+EVA backing On one lateral panel. 100%polyester

Fabric 3 : Polyester 1000D Dobby PVC backing On back panel. 100%polyester

Lining : Polyester 210D PU backing - 75 Inside as lining. 100% polyester

Fabric : Soft Neoprene 3.5 On bottom part of top handle. 100% neoprene

Mesh 1 : Polyester mesh 150 For inner pocket on main compartment. 100% polyester

Material 8 : PP plastic quality For honeycomb to fix bottom foot/trolley end, for bottom molded plate, + plastic foot, + one part of top handle on trolley system. 100%polypropylene

Main material : ABS plastic quality For honeycomb of the frame of the case. 100%acrylonitrile butadiene styrene

Material 5 : Aluminium quality On trolley system. 100% aluminium

Material 3 : Plastic quality On top part of trolley system. 100% plastic

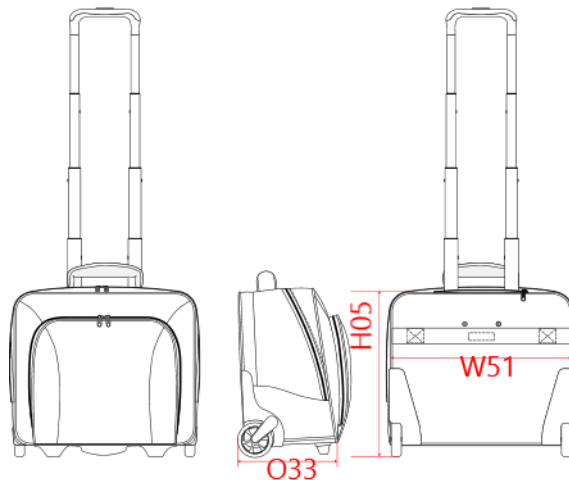
Material 8 : PP plastic quality On back bottom corners, where wheels. 100%polypropylene

TECHNICAL DETAIL :

PU + EVA backing

ARTICLE WEIGHT :

3300 gr/pc



DESCRIPTION								COLORS	PANTONE SERIGRAPHIE
Français : Trolley ordinateur English : Computer case trolley Nederlands : Computer case trolley Deutsch : Solide laptop tasche Español : Maleta trolley business Italiano : Trolley business porta computer Português : Trolley para computador								Black	Black
MEASUREMENT									
Description	U								
H05 Hauteur totale / Total height	37								
W51 Total width	41								
O33 Deep of bottom part	22								
PACKING									
Box	2 pcs / box U => L:44cm W:40cm H:42cm GW:7,6Kg NW:6,6Kg								