



REFERENCE : KP608

SIZES : S/M_L/XL

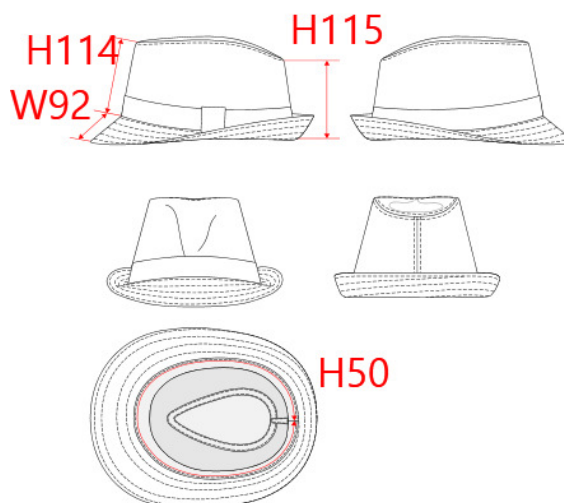
COMPOSITION :

Main material : Paper straw 100% vegetable fiber

Lining : Polyester knit lining A inner lining. 100% Polyester

ARTICLE WEIGHT :

75 gr/pc



DESCRIPTION
Français : Chapeau en fibre végétale
English : Hat made from vegetable fibres
Nederlands : Hoed van plantaardige vezel
Deutsch : Hut aus pflanzenfasern
Español : Sombrero en fibra vegetal
Italiano : Cappello in fibra vegetale
Português : Chapéu em fibra vegetal

COLORS	PANTONE SERIGRAPHIE
Beige / Chocolate	7529C / 439C
Black / Grey	Black / 422C
Light grey / Black	401C / Black
Red / Grey	200C / 422C

MEASUREMENT						
Description	S/M	L/XL				
H50 Tour de tête / Head measurement	57	58,50				
H114 Height of the crown on front part	9,50	10				
H115 Height of the crown on back part	9	9,50				
W92 Width of the brim	4,80	4,80				

CARE LABEL

PACKING	
Box	50 pcs / box Size => L:49,5cm W:26cm H:51cm GW:6,2Kg NW:4,2Kg