



REFERENCE : KI0221

SIZES : U

COMPOSITION :

Main fabric : Jute laminated PU backing 100% Jute

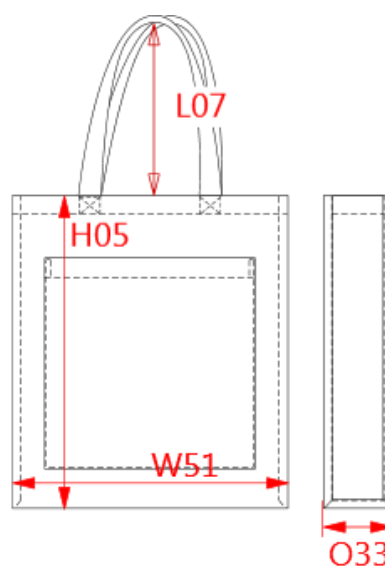
Fabric 1 : Cotton woven 130 For pocket on front panel. 100% cotton

TECHNICAL DETAIL :

Transparent laminated backing

ARTICLE WEIGHT :

190 gr/pc



DESCRIPTION		COLORS	PANTONE SERIGRAPHIE
Français : Sac shopping toile de jute		Lime Green	583C
English : Jute shopper		Natural	7534C
Nederlands : Jute shopper		Saffron	172C
Deutsch : Jute shopper		Turquoise	320C
Español : Bolsa shopper de Yute		Natural / Gold	7534C / -
Italiano : Shopper in luta		Black / Silver	Black / 877C
Português : Saco		Cherry red / Gold	7427C / -

MEASUREMENT							
Description	U						
H05 Hauteur totale / Total height	40						
W51 Total width	35						
O33 Deep of bottom part	9						
L07 Height of shoulder belt	23						

PACKING	
Box	50 pcs / box U => L:43cm W:38cm H:46cm GW:10,5kg NW:9,5kg