



**REFERENCE :** KI0830

**SIZES :** U

**COMPOSITION :**

Main fabric : Polyester oxford 600D PVC backing Main fabric.

100%polyester

: Dot PVC 770 On bottom to back panel. PVC

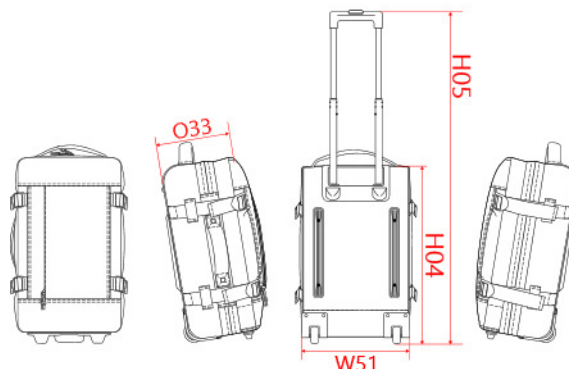
Lining : Polyester 210D PU backing - 75 As inside lining. 100% polyester

Material 3 : PVC quality For trolley system + foots. 100% polyvinyl chloride

Material 1 : Metal quality For trolley system + trolley rivets. 100%metal

**TECHNICAL DETAIL :**

PVC backing



DESCRIPTION		COLORS	PANTONE SERIGRAPHIE
<b>Français :</b> Sac trolley cabine <b>English :</b> Cabine size trolley suitcase <b>Nederlands :</b> Cabine size trolley suitcase <b>Deutsch :</b> Trolley-Kabinentasche <b>Español :</b> Maleta trolley de cabina <b>Italiano :</b> Trolley cabina <b>Português :</b> Trolley cabine		Black	Black
		Patriot blue	5265C
MEASUREMENT			
Description	U		
<b>H05</b> Hauteur totale / Total height	103,50		
<b>O33</b> Deep of bottom part	22		
<b>H04</b> Hauteur coté / Side length	52		
<b>W51</b> Total width	30		
PACKING			
Box	4 pcs / box U => L:65cm W:35cm H:30cm GW:10.0kg NW:9.0kg		