



**REFERENCE :** KP527

**SIZES :** U

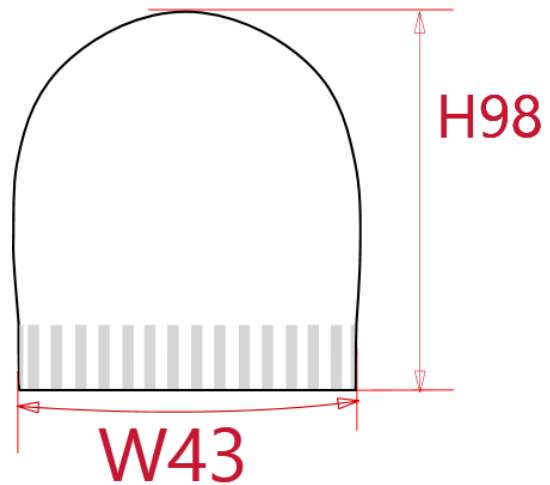
**COMPOSITION :**

Main fabric : Knit Acrylic yarn 28's For outside 100% acrylic

Lining : Polyester micropolar fleece - 150 For lining 100% polyester

**ARTICLE WEIGHT :**

100 gr/pc



DESCRIPTION		COLORS		PANTONE SERIGRAPHIE	
<b>Français :</b> Bonnet maille torsadée <b>English :</b> Cable knit beanie <b>Nederlands :</b> Muts met gebreide kabels <b>Deutsch :</b> Strickmütze mit Zopfmuster <b>Español :</b> Gorro de punto trenzado <b>Italiano :</b> Berretto lavorato a trecce <b>Português :</b> Gorro em malha twist		Black	Black	Grey	422C
		Navy	433C		
MEASUREMENT					
Description	U				
H98 Front hat height	23				
W43 1/2 largeur bas bonnet / 1/2 hat bottom width	25				
CARE LABEL					
PACKING					
Box	100 pcs / box U => L:50cm W:50cm H:40cm GW:11.5kg NW:10.5kg				