



REFERENCE : KP532

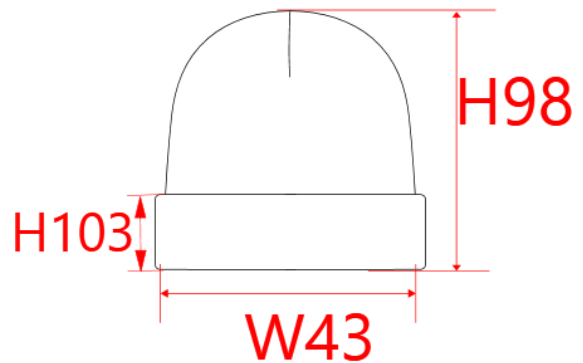
SIZES : U

COMPOSITION :

Main fabric : Viscose / Polyester / Polyamide yarn knit 52/28/20
52%viscose/28%polyester/20%polyamide

ARTICLE WEIGHT :

60 gr/pc



DESCRIPTION		COLORS	PANTONE SERIGRAPHIE
Français : Bonnet grosse maille English : Chunky knit beanie Nederlands : Dik gebreide muts Deutsch : Grobgestrickte Mütze Español : Gorro grueso Italiano : Berretto lavorato a maglia grossa Português : Gorro em malha		Dark grey	447C
		Off grey	-
		Off navy	-
		Off fuchsia	-
MEASUREMENT			
Description	U		
H98 Front hat height	21		
W43 1/2 largeur bas bonnet / 1/2 hat bottom width	16,50		
H103 Height of the turn up of the hat	6		
CARE LABEL			
PACKING			
Box	100 pcs / box U => L:60cm W:40cm H:30cm GW:6.2kg NW:5.5kg		